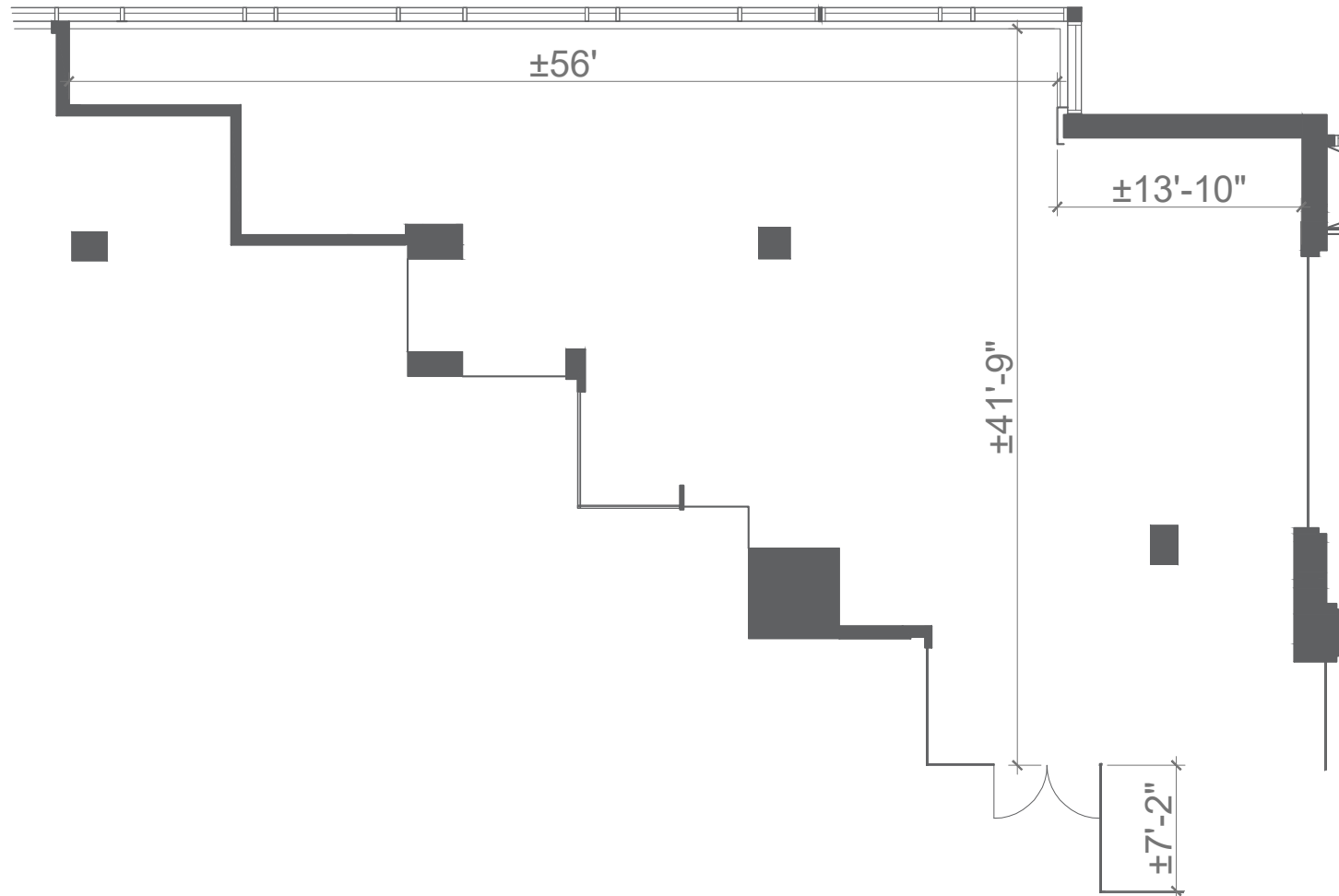


# Bankers Hall

315 8th Avenue SW, Calgary, Alberta

Unit 204

1,902 sq. ft.



For leasing inquiries, or to schedule a tour, please contact:

**Victor Solorzano**

Retail Leasing, Taurus Property Group

403.629.3825 | vsolorzano@taurusgroup.com

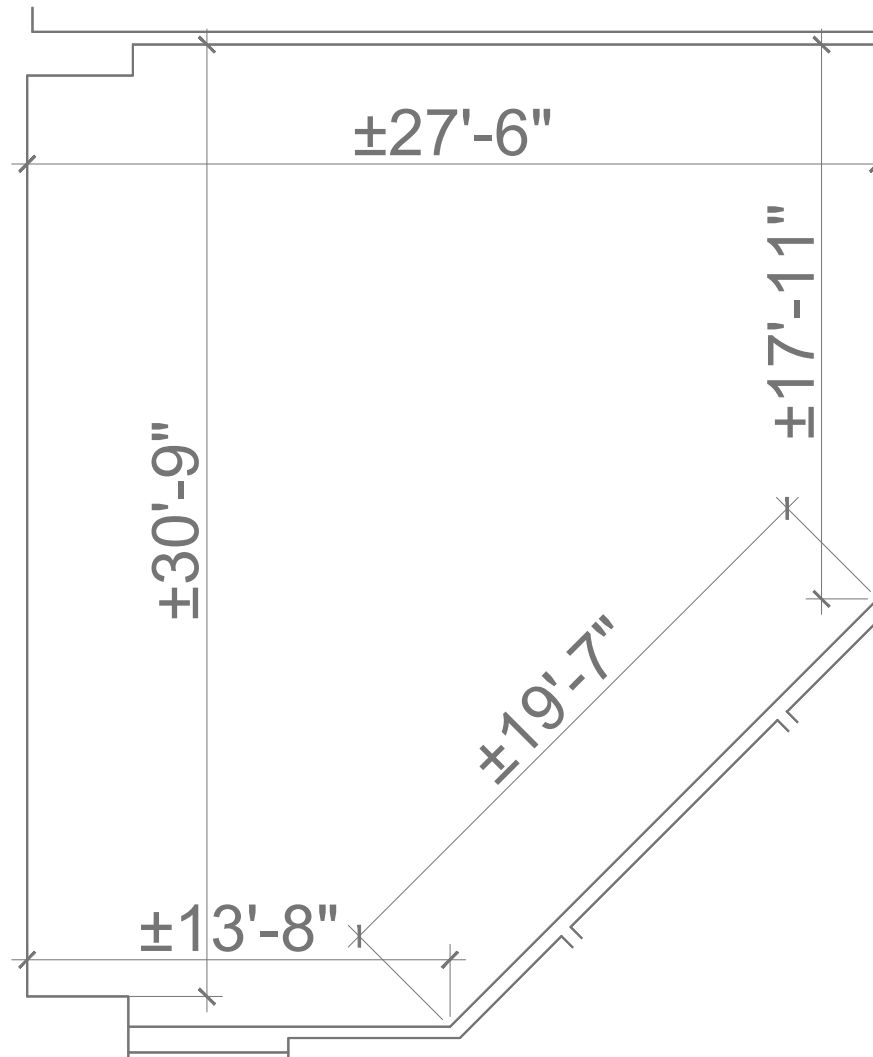
**Brookfield  
Properties**

# Bankers Hall

315 8th Avenue SW, Calgary, Alberta

Unit 236

820 sq. ft.



For leasing inquiries, or to schedule a tour, please contact:

**Victor Solorzano**

Retail Leasing, Taurus Property Group

403.629.3825 | vsolorzano@taurusgroup.com

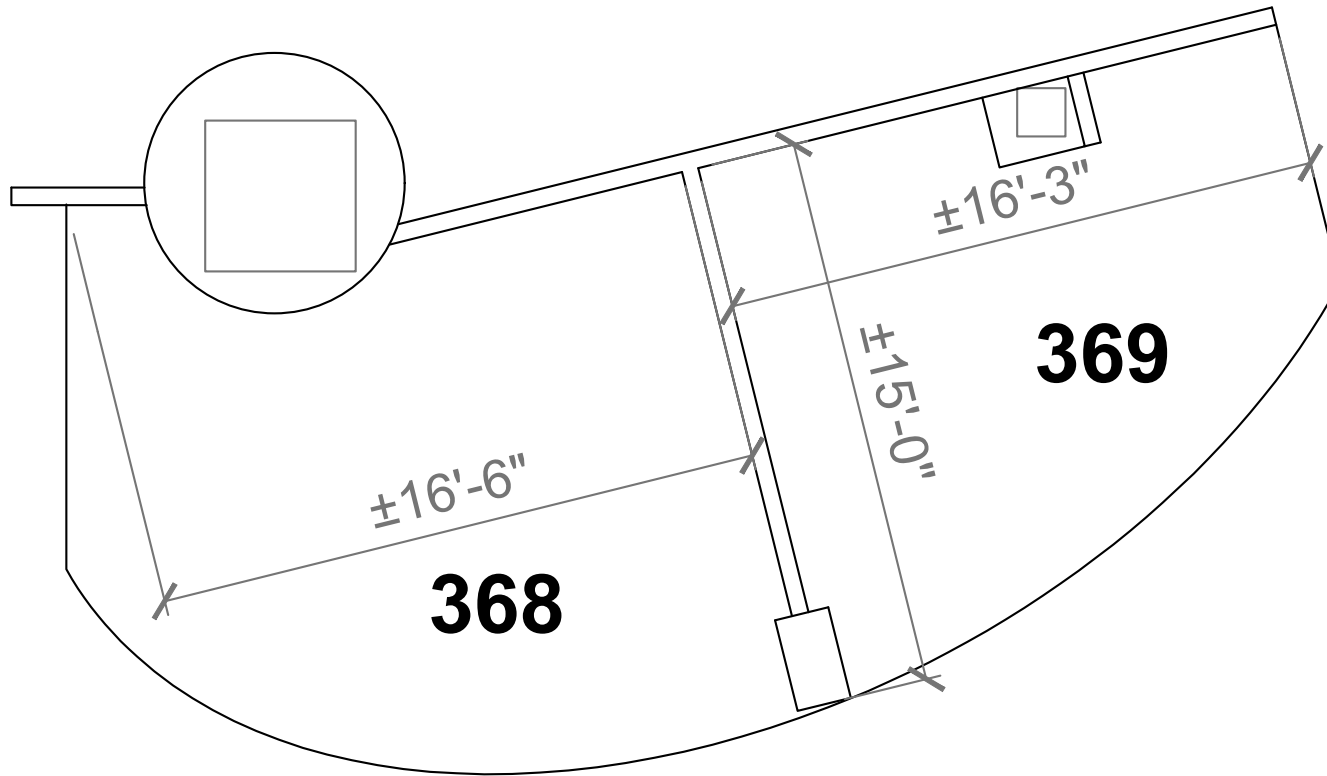
**Brookfield**  
Properties

# Bankers Hall

315 8th Avenue SW, Calgary, Alberta

Units 368 & 369

300 sq.ft. & 221 sq. ft.



For leasing inquiries, or to schedule a tour, please contact:

**Victor Solorzano**

Retail Leasing, Taurus Property Group

403.629.3825 | vsolorzano@taurusgroup.com

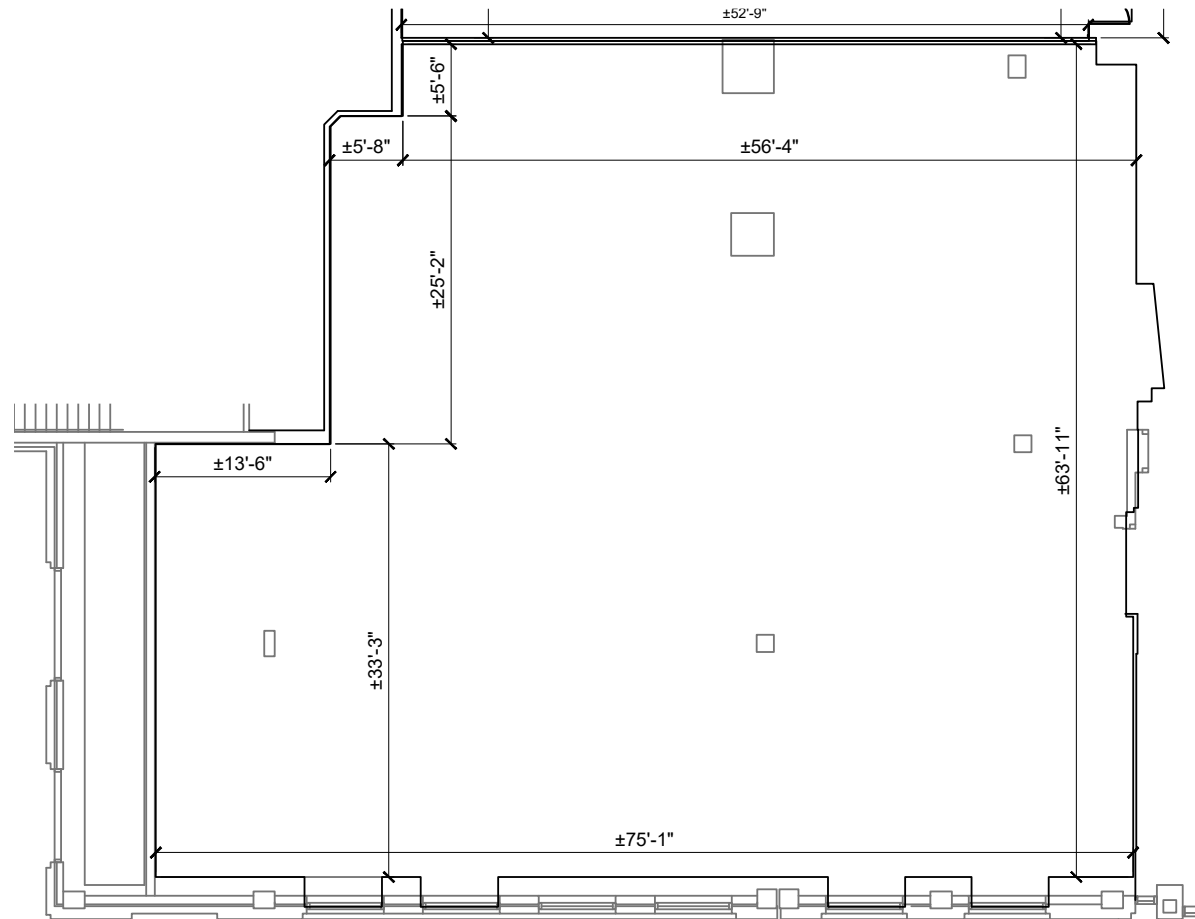
**Brookfield**  
Properties

# Bankers Hall

315 8th Avenue SW, Calgary, Alberta

Unit 361

4,339 sq. ft.



For leasing inquiries, or to schedule a tour, please contact:

**Victor Solorzano**

Retail Leasing, Taurus Property Group

403.629.3825 | vsolorzano@taurusgroup.com

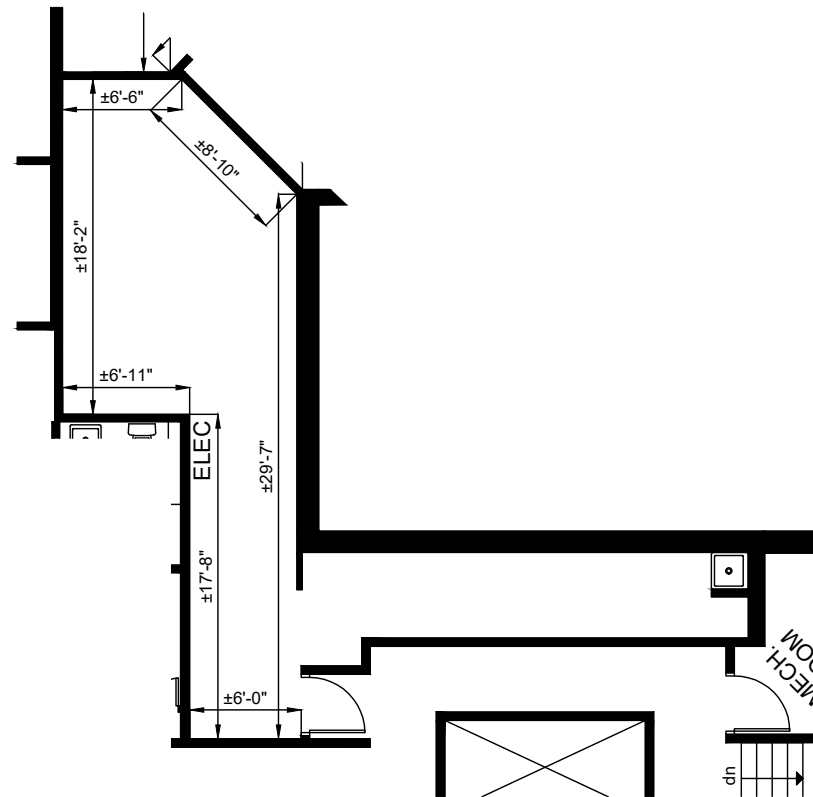
**Brookfield**  
Properties

# Suncore Energy Centre

111 5th Avenue SW, Calgary, Alberta

Unit 121

400 sq. ft.



For leasing inquiries, or to schedule a tour, please contact:

**Victor Solorzano**

Retail Leasing, Taurus Property Group

403.629.3825 | vsolorzano@taurusgroup.com

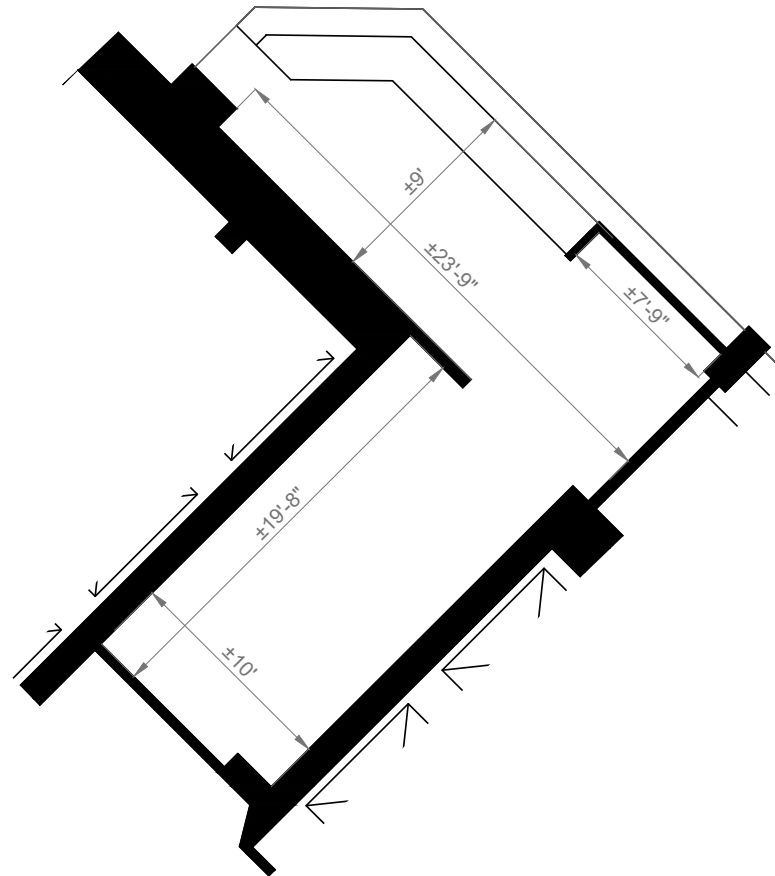
**Brookfield  
Properties**

# Suncore Energy Centre

111 5th Avenue SW, Calgary, Alberta

Unit 220

450 sq. ft.



For leasing inquiries, or to schedule a tour, please contact:

**Victor Solorzano**

Retail Leasing, Taurus Property Group

403.629.3825 | vsolorzano@taurusgroup.com

**Brookfield  
Properties**